

Features:

- ☑ three-phase controlled digital soft starter (11-800kW)
- ☑ integrated bypass
- ☑ current and torque reduction during acceleration
- ☑ USB port
- ☑ comprehensive and customizable motor protection
- ☑ display graphical LCD – real time graphs of motor operating performance
- ☑ inside delta (6-wire) connection
- ☑ degree of protection IP20 up to 135A
- ☑ motor PTC connection



Soft Starters
VS p III ...-250 ... 580



Function:

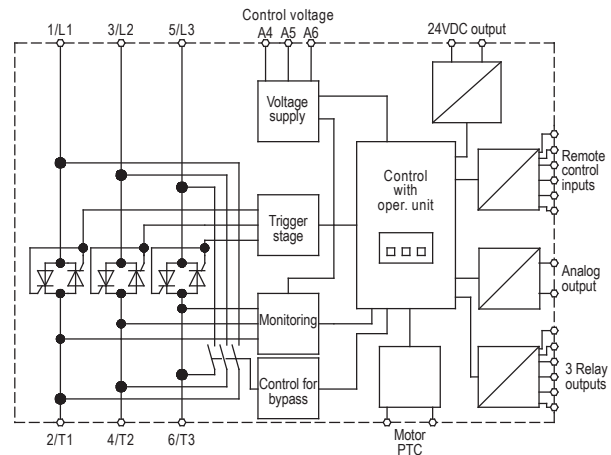
- ☑ emergency run
- ☑ 2 motor sets: forward or reverse jog function
- ☑ remote control inputs (2x fixed, 2x programmable)
- ☑ relay inputs (3x programmable)
- ☑ 24VDC output
- ☑ analog output
- ☑ divers soft start/stop control types
- ☑ units with 690V upon request

Accessories:

- ☑ Remote Keypad & Cable (29000.2S801)
- ☑ DeviceNet Interface (29000.2S802)
- ☑ Ethernet IP Interface (29000.2S803)
- ☑ ModBus RTU Interface (29000.2S804)
- ☑ ModBus TCP Interface (29000.2S805)
- ☑ Profibus Interface (29000.2S806)
- ☑ Profinet Interface (29000.2S807)
- ☑ Remote Keypad Card (29000.2S808)
- ☑ Remote Keypad, Card & Cable (29000.2S809)
- ☑ SmartCard Pump Application (29000.2S810)
- ☑ Finger protection (from 184A up to 580A, 29000.2S811)

Typical Applications:

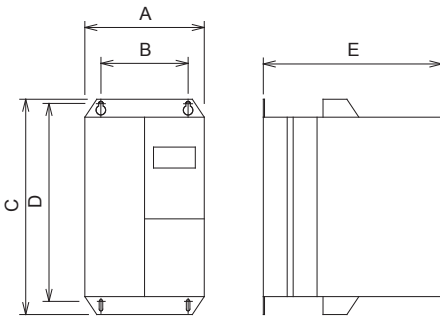
- pumps, ventilators
- compressors
- mills, crushers, presses
- conveying systems
- drives with high-inertia starting
- machines with gear units, belt or chain drives



Typical designation	VS p III 525 -					
	250 C1 / C2	352 C1 / C2	397 C1 / C2	410 C1 / C2	550 C1 / C2	580 C1 / C2
rated device current	250A	352A	397A	410A	550A	580A
operating rated voltage	200-525V 45-66Hz					
control supply voltage	C1: 110VAC; 220VAC -15%/+10% 600mA; C2: 24VDC/24 VAC ±20% 2.8A					
motor rating at Ue 400V	132kW	160kW	185kW	220kW	280kW	315kW
order number:						
C1 2S900.50...	250	352	397	410	550	580
C2 2S901.50...	250	352	397	410	550	580

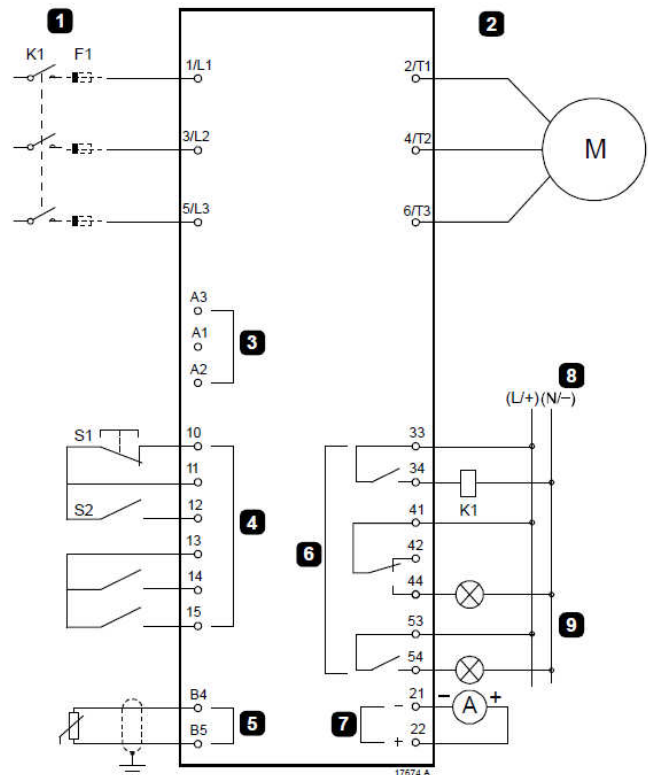
Technical data	VS p III 525 -					
	250 C1 / C2	352 C1 / C2	397 C1 / C2	410 C1 / C2	550 C1 / C2	580 C1 / C2
max. power dissipation - during start - in operation	4,5W per A 120W		4,5W per A 140W			
I ² t – value power semiconductors in A ² s	320000	202000		320000	781000	781000
min. motor load	5A	9A	11A	15A	21A	29A
utilization category	AC53b					
EMC	meets EU-standard 89/336/EEC; IEC 60947-4-2 class B; IEC 60947-4-2					
ambient / storage temperature	-25°C up to +60°C (Derating) / -25°C up to +60°C					
inputs	active 24VDC about 8mA, motor PTC (trip >3,6kOhm, reset <1,6kOhm)					
relay outputs	10A at 250VAC resistive, 5A at 250VAC AC15 Lf 0,3					
analog output	0 up to 20mA or 4 up to 20mA					
24VDC output	max. 200mA					
kinds of start	constant current, current ramp, adaptive control, kick start					
kinds of stop	soft stop via voltage drop in an allowed time, DC brake, free deceleration					
adapable protection functions	motor overload, min. current, max. starting time, short-time over-current, current unbalance, mains frequency, phase sequence					
certification	CE, RoHS conform, RCM, Lloyds Register, UL / cUL					
weight / kg	12,5		15,5		19	

Dimensions:



	A (mm)	B (mm)	C (mm)	D (mm)	E (mm)
VS p III...-250	216	180	495	450	243
VS p III...-352	216	180	523	450	243
VS p III...-397	216	180	523	450	243
VS p III...-410	216	180	523	450	243
VS p III...-550	216	180	523	450	243
VS p III...-580	216	180	523	450	243

Connection Diagram:



1	Three-phase supply	K1	Main contactor
2	Motor	F1	Semiconductor fuses (optional)
3	Control voltage (soft starter)	10, 11 (S1)	Reset
4	Digital inputs	11, 12 (S2)	Start/Stop
5	Motor thermistor input	13, 14	Programmable input A (default = Input Trip (N/O))
6	Relay outputs	13, 15	Programmable input B (default = Input Trip (N/O))
7	Analog output	B4, B5	Motor thermistor input
8	Control voltage (external equipment)	33, 34	Main contactor output
9	Pilot lamps	41, 42, 44	Relay output A (default = Run)
		53, 54	Relay output B (default = Trip)
		21, 22	Analog output