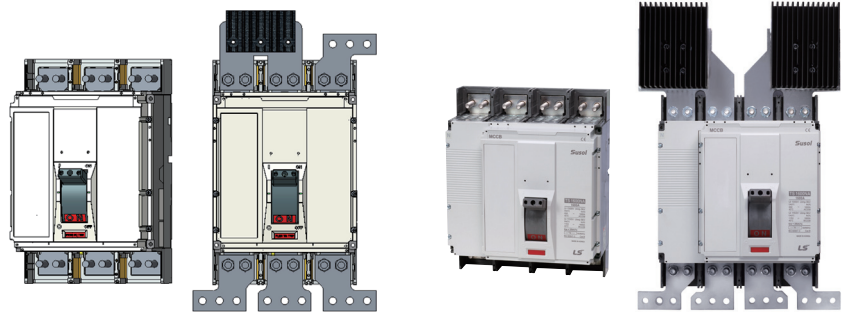


DC Switch-Disconnectors (1600AF)

1600AF Switch-Disconnectors

Characteristics

- 4Pole: DC1150V/AC690V Switch disconnectors
- 3Pole: DC900V/AC690V Switch disconnectors
- 1000/1250/1600A DC
- Uimp = 8kV
- IEC60947-3



(TS1250NA 3P)

(TS1600NA 4P)

Rating

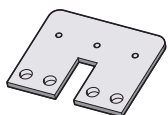
Type		TS1000NA	TS1250NA	TS1600NA
Frame size	[AF]	1000	1250	1600
Conventional thermal current, Ith	[A]	1000	1250	1600
Rated operational current, Ie	[A]	1000	1250	1600
No. of poles	[Pole]	3/4	3/4	3/4
Rated operational voltage, Ue	DC/AC 3pole [V]	900/690	900/690	900/690
	DC/AC 4pole [V]	1150/690	1150/690	1150/690
Rated insulation voltage, Ui	DC [V]	1150	1150	1150
	AC [V]	1000	1000	1000
Rated impulse withstand voltage, Uimp	[kV]	8	8	8
Rated short-circuit making capacity, Icm	DC [kA peak]	25	25	25
	AC [kA peak]	52.5	52.5	52.5
Rated short-circuit making capacity, Icw	1sec [kA rms]	25	25	25
Utilization category		DC22B/AC23B	DC22B/AC23B	DC22B/AC23B
Isolation behavior		●	●	●
Trip unit (Release)	Disconnector unit DSU	●	●	●
Connection	Fixed	Front-connection	●	●
		Rear-connection	●	●
Mechanical life	[Operations]	10000	10000	10000
Electrical life	@ V DC [Operations]	500	500	500
	@ 690V AC [Operations]	2000	2000	2000
Dimensions without accessories, WxHxD (Front connection)	3pole [mm]	210×327×152.5	210×327×152.5	210×327×152.5
	4pole [mm]	280×327×152.5	280×327×152.5	280×327×152.5
Weight without accessories (Front connection)	3pole [kg]	12	12	12
	4pole [kg]	17.8	17.8	17.8
Reference standard		IEC60947-3	IEC60947-3	IEC60947-3

Accessories

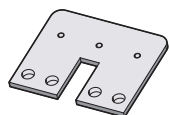
1) For TS1000NA DC

2) For TS1250NA DC

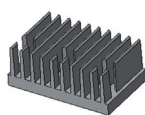
3) For TS1600NA DC



<Busbar>



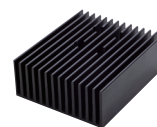
<Busbar>



<Heatsink>



<Busbar>

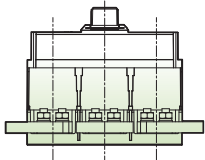
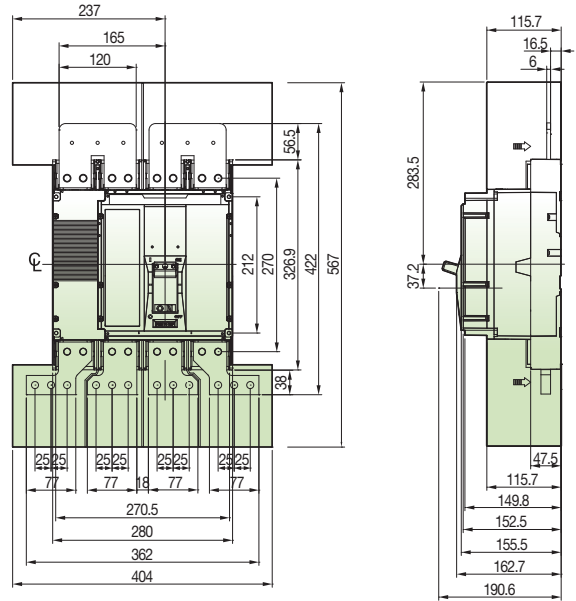
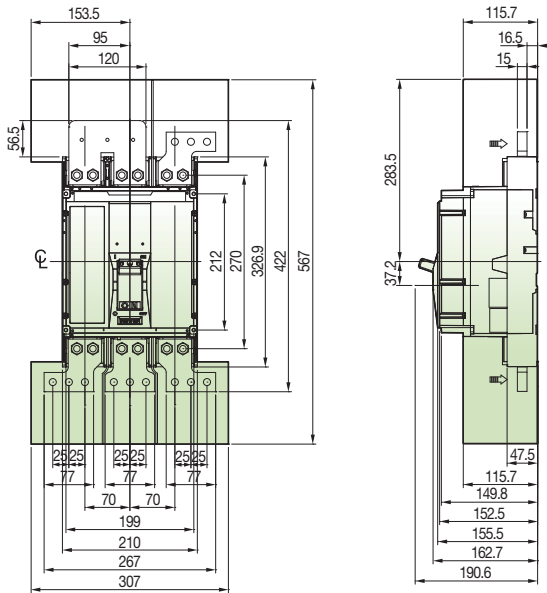


<Heatsink>

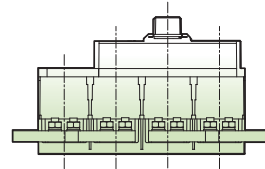
Dimensions

TS1600NA

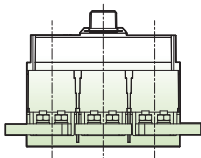
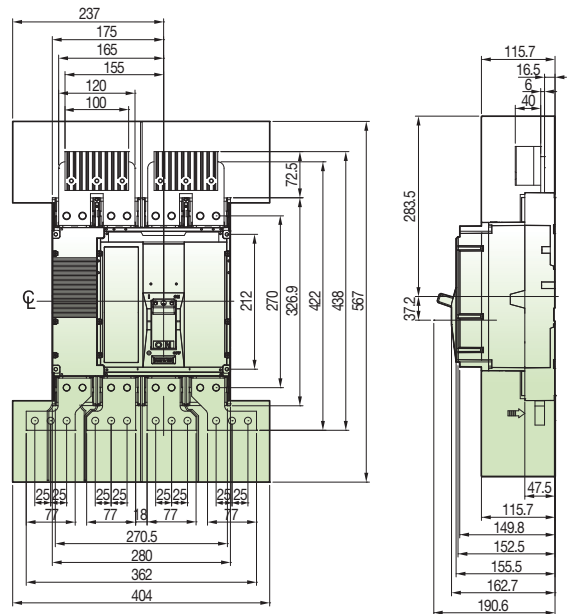
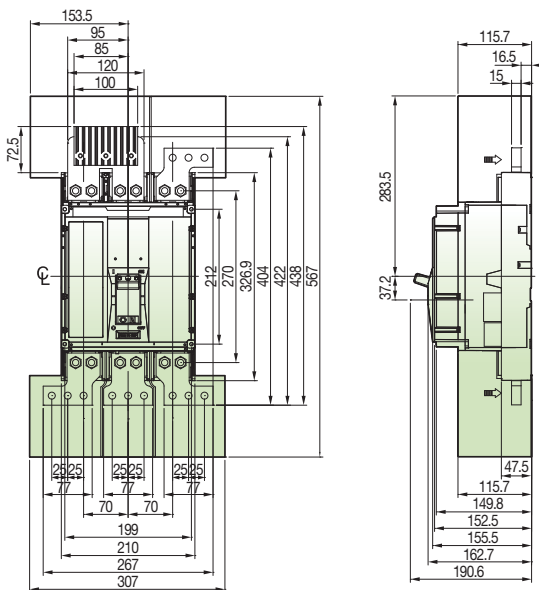
Dimension of MCCB with DC BUSBAR



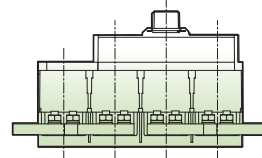
<TS1000NA 3P>



<TS1000NA 4P>



<TS1250NA 3P>



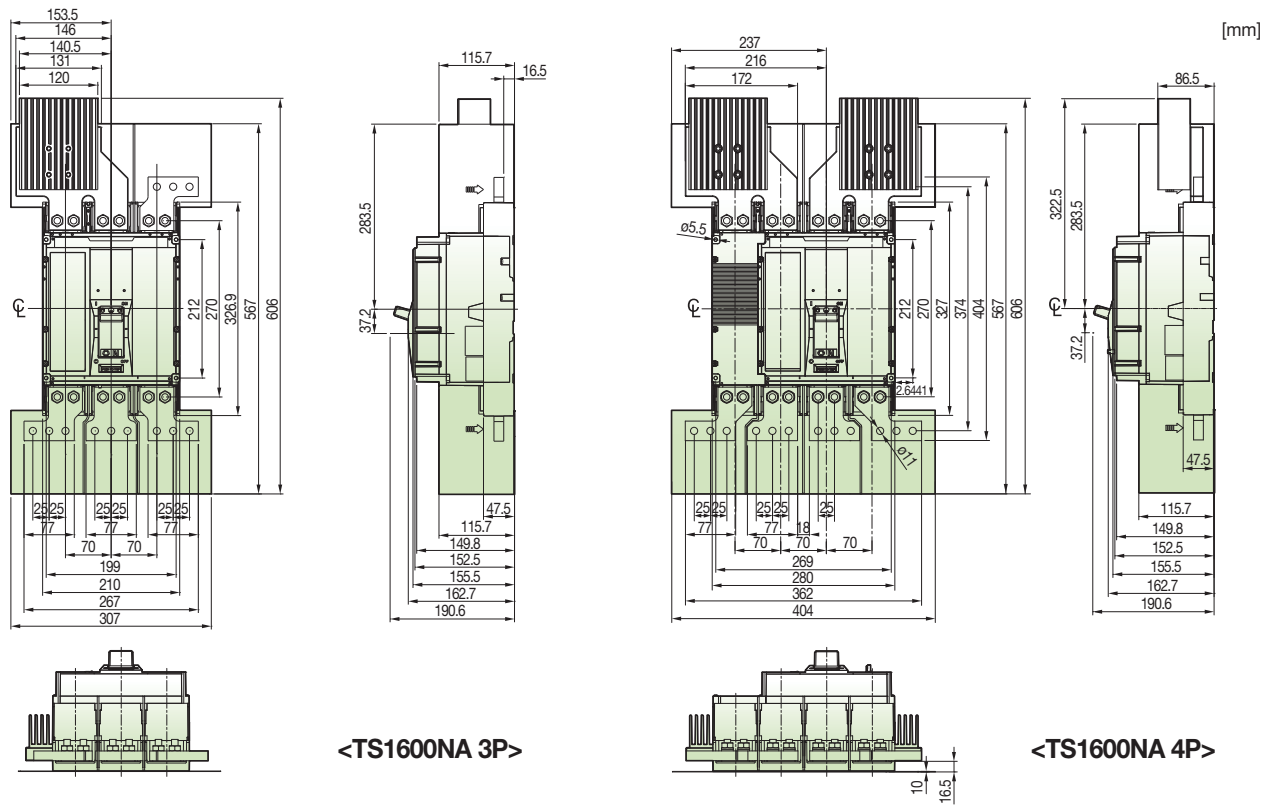
<TS1250NA 4P>

DC Switch-Disconnectors (1600AF)

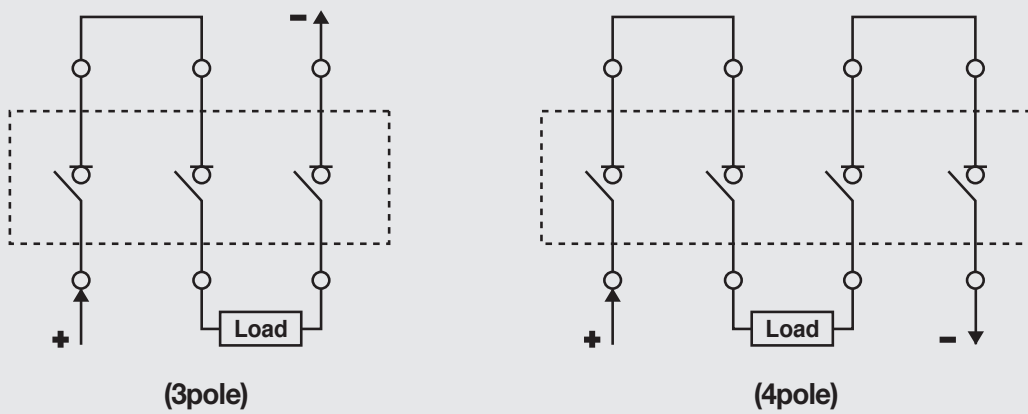
Dimensions

TS1600NA

Dimension of MCCB with DC BUSBAR

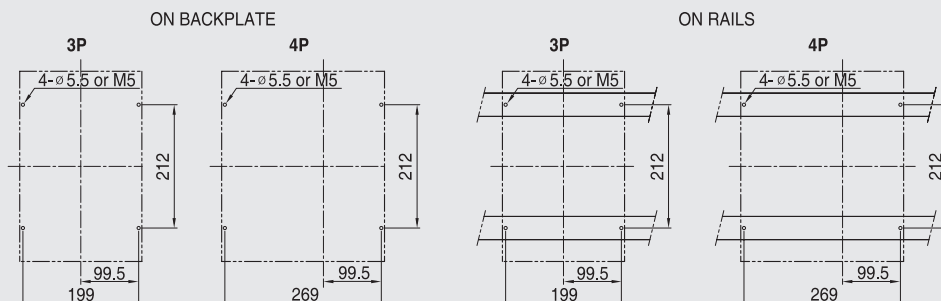


Connection diagrams

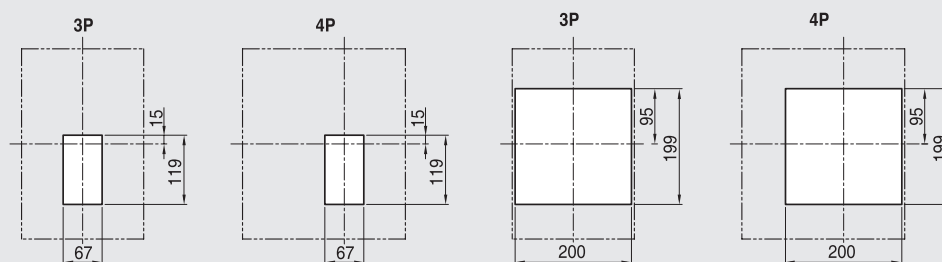


Dimensions

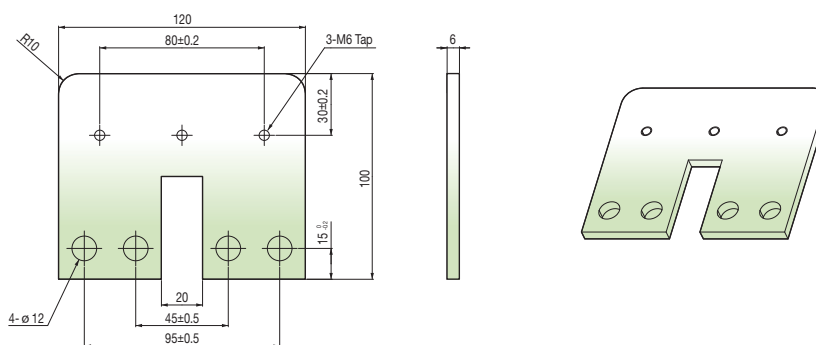
Panel drilling



Front panel cutting



TS1000NA/TS1250NA Short BUSBAR dimension



TS1600NA Short BUSBAR dimension

