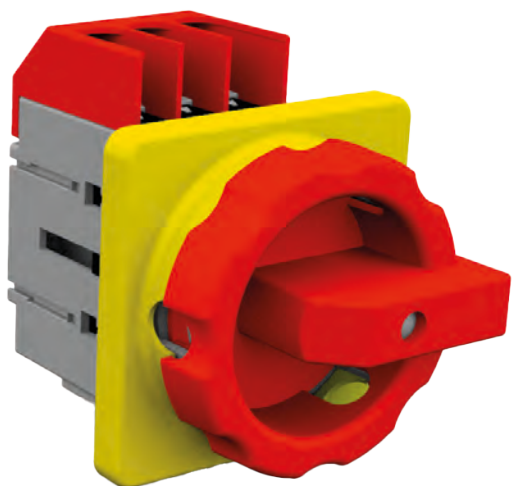
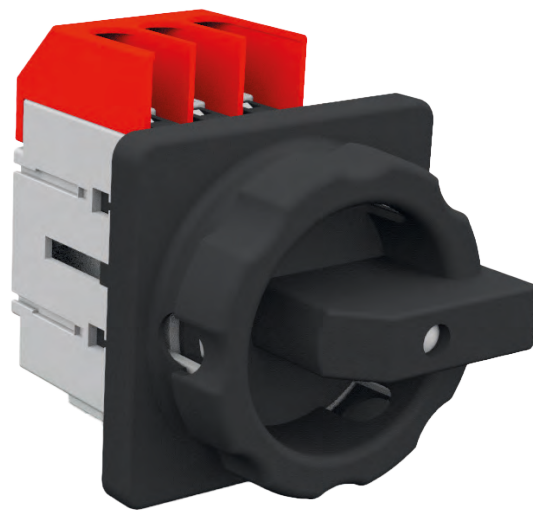


DOOR MOUNTING SWITCHES

ST 16A - 250A



SERIE_SERIES ST

GENERALITIES

The modular switch disconnectors of ST series, allow the breaking and the disconnecting on load of equipment on low voltage at nominal current from 16 to 250 A.

USE

The switch disconnectors of ST series are commonly used for the following purposes:

- Control switches
- Emergency Switches
- Main Switches, following EN 60204-1 rules
- Disconnector

GENERAL CHARACTERISTICS

High breaking capacity (AC 22 A - AC 23 A)
Double break contacts on each pole, silver plated contacts, captive screws
High electrical and mechanical endurance
Resistant to damp heat
IP50 degree of protection (IP65 under request)
Extremely compact construction,
Modular execution, basic mounting with 4 screws, or with a 22mm diameter hole(IP65 version only)
Contact covers included in each package

RANGE

ST1 16 - 25 - 32 - 40 - 63 A
ST2 80 A
ST3 100 - 125 A
ST4 180 - 250 A

ADDITIONAL POLES

Fourth neutral pole makes erlier and opens later than the phase contacts. Fourth pole solid neutral.
Earth pole. Contemporary pole under request.
A 4th Pole (or a solid neutral), or Auxiliary contacts can be installed on each side of the switch disconnector.
The auxiliary contacts are advanced in opening with respect to the power contacts, while the closing can be delayed or simultaneous.

OPERATING MECHANISM

Door interlock, black or emergency handle padlockable, with up to three padlocks in 0 position.

STANDARD SERVICE, MOUNTING AND TRANSPORT CONDITIONS

Transport and storage ambient temperature - 25°C + 55°C
working ambient temperature - 20°C + 40°C
For other operating conditions please contact the manufacturer.

CONFORMITY TO STANDARDS

IEC 60947-1|IEC 60947-3|UNI EN 60947-1|UNI EN 60947-3|UL 508A

CERTIFICATES AND APPROVALS

UL | IEC | CSA | EAC

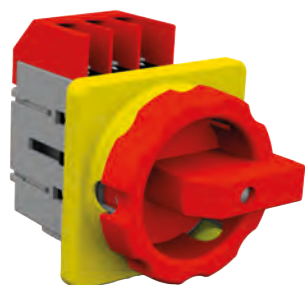
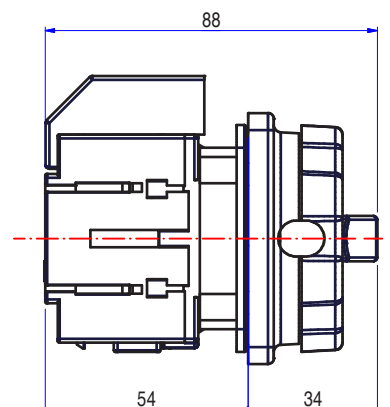
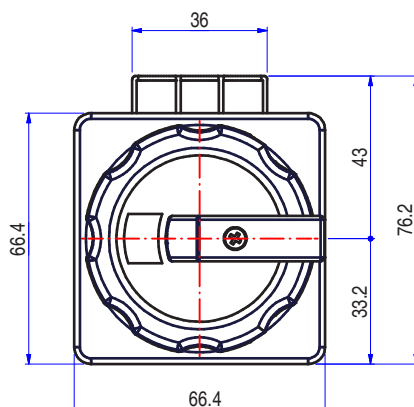


Rated current	black handle		emergency handle		black handle		emergency handle		
	A	POLI_POLES	CODICE / CODE	POLI_POLES	CODICE / CODE	POLI_POLES	CODICE / CODE	POLI_POLES	CODICE / CODE
ST1	16	3	19300R	3	19310R	4	19330R	4	19350R
	25	3	19301R	3	19311R	4	19331R	4	19351R
	32	3	19302R	3	19312R	4	19332R	4	19352R
	40	3	19303R	3	19313R	4	19333R	4	19353R
	63	3	19304R	3	19314R	4	19334R	4	19354R
ST2	80	3	19206R	3	19216R	4	19236R	4	19256R
	100	3	19207R	3	19217R	4	19237R	4	19257R
ST3	125	3	19701R	3	19711R	4	19731R	4	19751R
	180	3	19704R	3	19714R	4	19734R	4	19754R
ST4	250	3	19705R	3	19715R	4	19735R	4	19755R

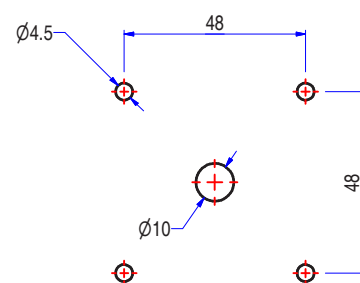
SERIE_SERIES ST

				ST1					ST2	ST3	ST4			
Corrente Nominale _rated operating current	I_e		A	16	25	32	40	63	80	100	125	180	250	
Tensione di Esercizio _rated operating voltage	U_e		V	690	690	690	690	690	690	690	690	690	690	
Tensione Nominale di isolamento _rated insulation voltage	U_i		V	690	690	690	690	690	690	690	690	690	690	
Tensione Nominale Tenuta di Impulso _rated surge withstand capacity	U_{imp}		kV	6	6	6	6	6	6	6	6	8	8	
Corrente nominale Termica a 40°C _conventional free air thermal current at 40°C	I_{th}		A	16	25	32	40	63	80	100	125	180	250	
Corrente Nominale di Impiego _utilization category	AC-21A	415 V	A	–	–	–	–	–	–	–	125	–	250	
		500 V	A	–	–	–	–	–	–	–	–	–	–	
		690 V	A	16	25	32	40	63	–	–	125	–	250	
	AC-22A	415 V	A	–	–	–	–	–	–	–	125	–	230	
		500 V	A	–	–	–	–	–	–	–	–	–	–	
		690 V	A	9	11	13	17	22	–	–	–	–	–	
	AC-23A	415 V	A	16	19	22	29	41	43	70	84	–	224	
		500 V	A	–	–	–	–	–	–	–	–	–	–	
		690 V	A	9	11	13	17	21	22	34	41	–	–	
Potere di Chiusura _rated operating power	AC23A	415 V	kW	7.5	9	11.5	15	22	–	37	45	90	132	
		500 V	kW	–	–	–	–	–	–	–	–	–	–	
		690 V	kW	7.5	9	11.5	15	18.5	–	30	37	45	55	
Corrente di breve durata per 1 sec _Short-circuit withstand current 1 sec	I_{cw}	400 V	kA	0.5	0.5	0.5	1	1	1.26	2	2	4	4	
Corrente di cortocircuito condizionata da fusibile 690 V _rated conditional short-circuit current at 690 V	tipo di fusibili	gG	A	25	25	50	50	63	80	100	125	200	250	
Potenza dissipata per polo _power loss per pole			W	0,4	0,9	1,5	2,4	3,6	5,5	7,5	12	36	36	
Contatti Ausiliari _auxiliary contacts	I_{cc}	rms	kA	5	5	5	5	5	–	–	–	–	–	
Interruttore pilota _pilot switch	AC 15	415 V	A	10	10	10	10	10	10	10	10	10	10	
Sezione Cavo _cable size	flessibile _flexible		mm ²	2,5-16	2,5-16	2,5-16	2,5-16	2,5-16	2,5-35	4,0-50	4,0-50	16-185	16-185	
Peso netto _Net weight	3P	Kg		0,195	0,195	0,195	0,195	0,195	0,36	0,425	0,425	1,88	1,88	
	4P			0,23	0,23	0,23	0,23	0,23	0,425	0,52	0,52	2,335	2,335	

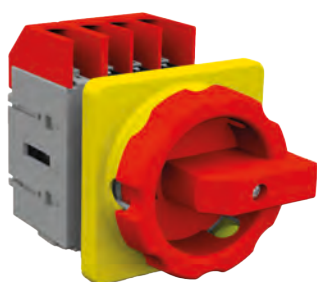
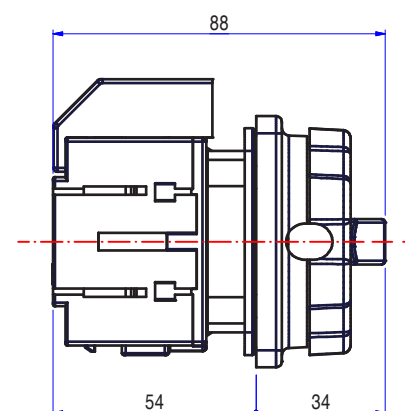
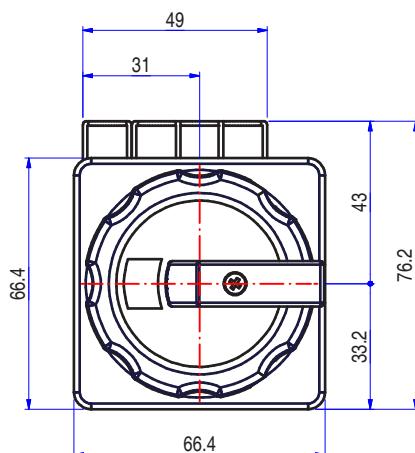
ST1 3x16 ÷ 63A | ST1 3x16 ÷ 63A EM



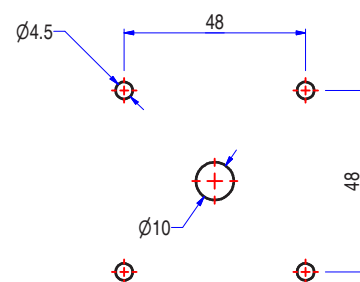
Door drilling



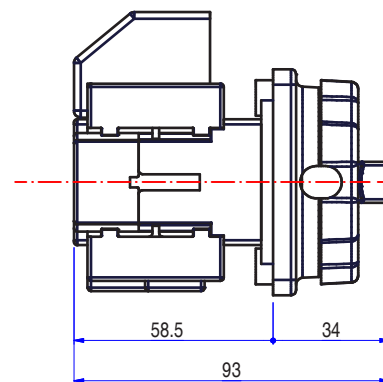
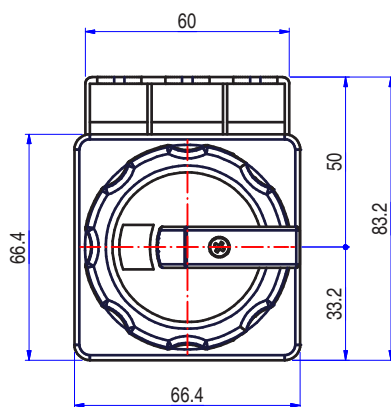
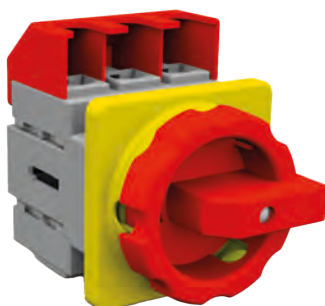
ST1 4x16 ÷ 63A | ST1 4x16 ÷ 63A EM



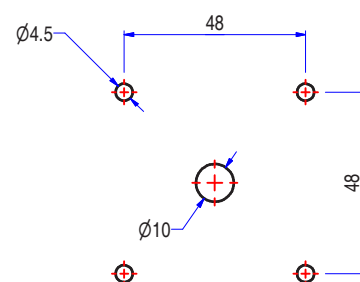
Door drilling



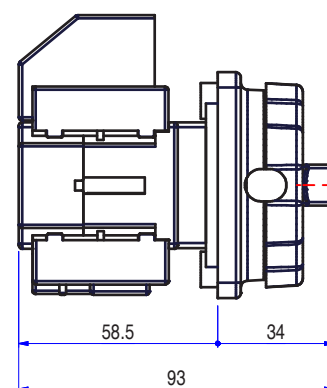
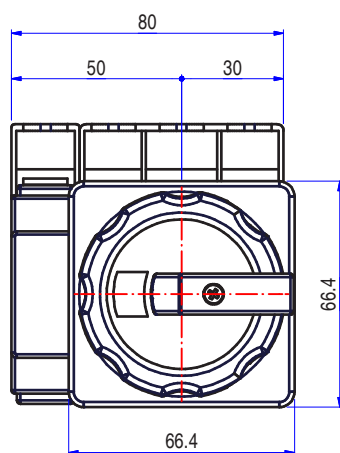
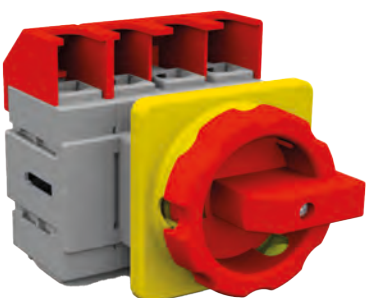
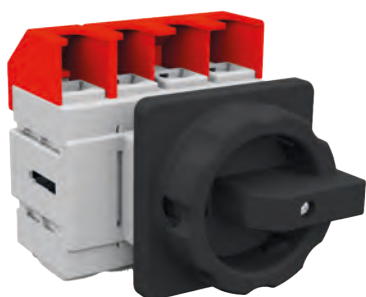
ST2 3x80A | ST2 3x80A EM



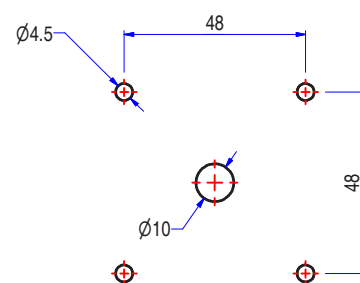
Door drilling



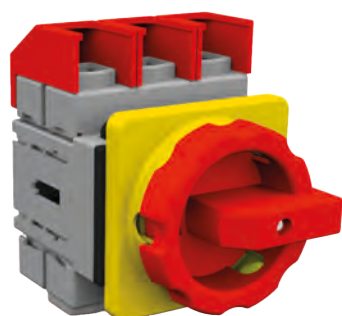
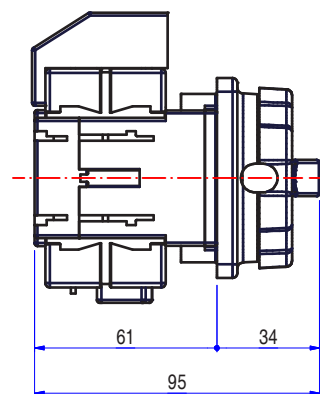
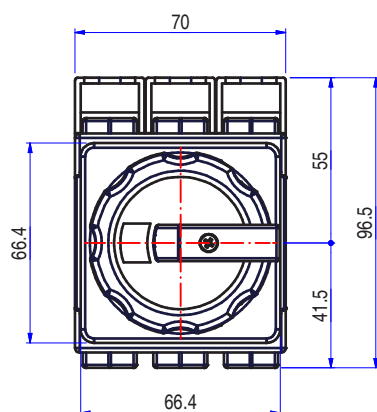
ST2 4x80A | ST2 4x80A EM



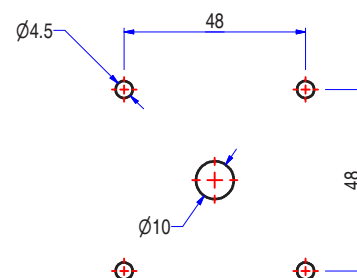
Door drilling



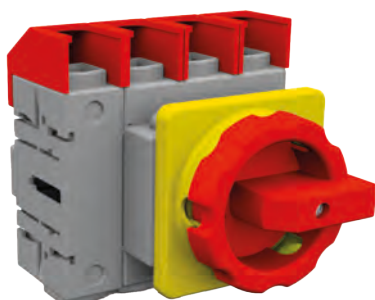
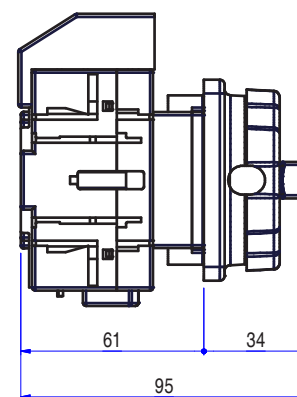
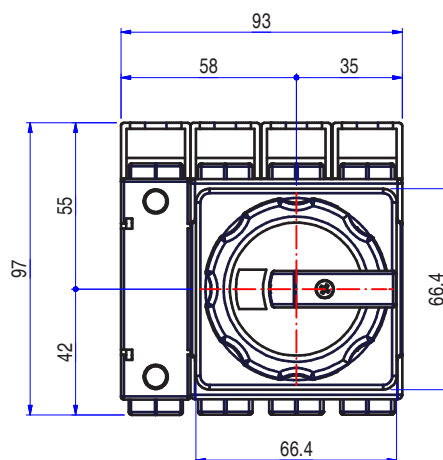
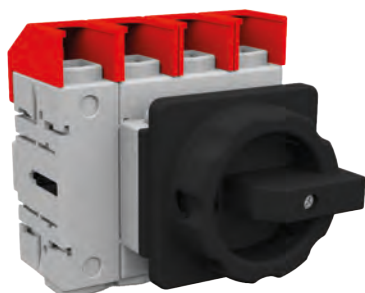
ST3 3x100 ÷ 125A | ST3 3x100 ÷ 125A EM



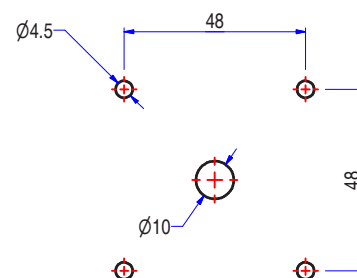
Door drilling



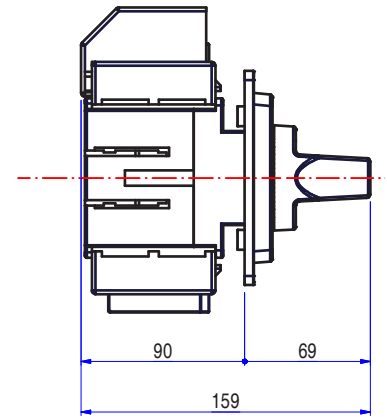
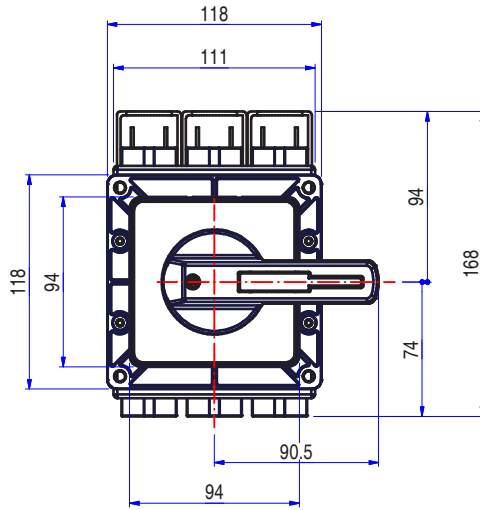
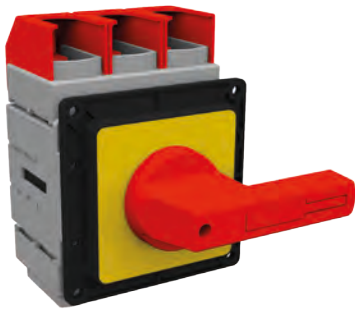
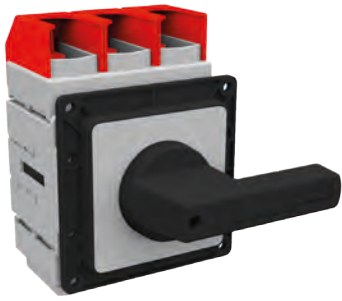
ST3 4x100 ÷ 125A | ST3 4x100 ÷ 125A EM



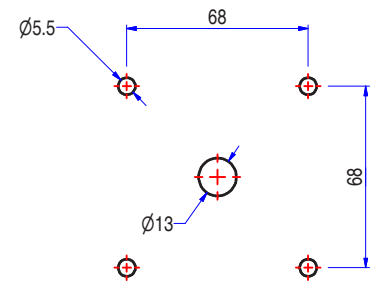
Door drilling



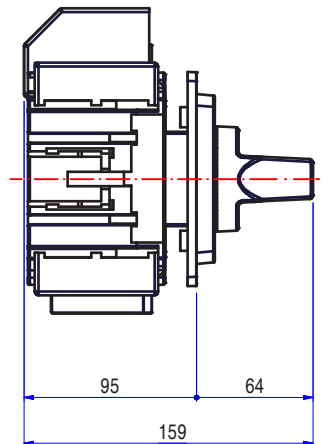
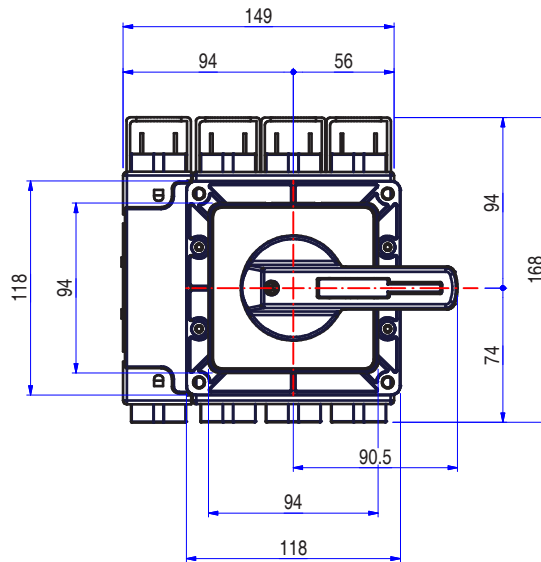
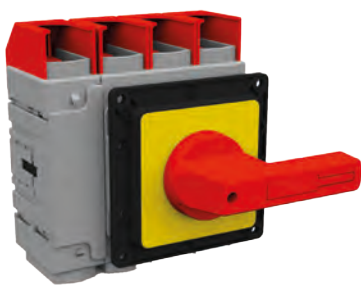
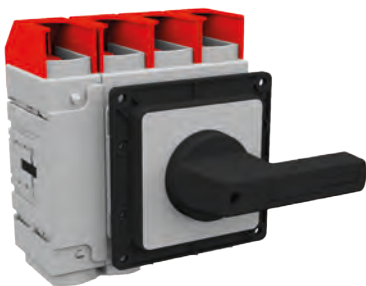
ST4 3x180 ÷ 250A | ST4 3x180 ÷ 250A EM



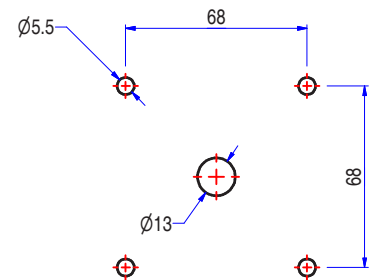
Door drilling



ST4 4x180 ÷ 250A | ST4 4x180 ÷ 250A EM



Door drilling

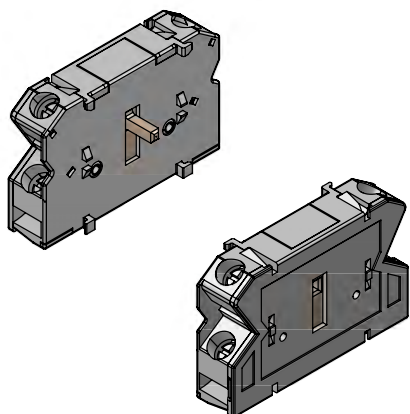


ACCESSORIES



Type	A	4th pole (make early, open late)	Contemporary 4th Pole	Solid neutral	Aux Contacts (1NO+1NC)
ST1	16	19320R-NA16	19320R-NC16	19320R-SN16	19429R
	25	19320R-NA25	19320R-NC25	19320R-SN25	19429R
	32	19320R-NA32	19320R-NC32	19320R-SN32	19429R
	40	19320R-NA40	19320R-NC40	19320R-SN40	19429R
	63	19320R-NA63	19320R-NC63	19320R-SN63	19429R
ST2	80	19418R-NA80	19418R-NC80	19418R-SN80	19429R
ST3	100	19450R-NA125	19450R-NC125	19450R-SN125	19429R
					19429R
	125	19450R-NA125	19450R-NC125	19450R-SN125	19429R
					19429R
ST4	180	19450R-NA250	19450R-NC250	19450R-SN250	19429R
	250	19450R-NA250	19450R-NC250	19450R-SN250	19429R

AUX.CONTACTS 1NA+1NC



Code: 19429R

Rated isolation voltage	v	500
Thermal Uninterrupted Current	A	10
120v	A	6
220- 240v	A	3
380-415v	A	1,8
500v	A	1,4
125v	A	1,1
250v	A	0,3
solid wire	mm ²	2 x0,75-4
flexible with. wire end ferrules	mm ²	2 x0,75-4
Tightening torque clamps	Nm	0,8 - 1,1