

PETER

electronic



VersiStart II plus



The new soft starter series VersiStart II plus from PETER electronic offers a optimal solution for demanding applications.

The starting behaviour of your machine or system is controlled so precisely by VersiStart II that a targeted soft „start-up“ reduces wear, protects components and avoids the negative effects of a direct start.

VersiStart II plus is characterized by a wide range of variants, robustness, performance with a high duty cycle, and an attractive price/performance ratio.

High Quality. Typical for PETER electronic!

NEW +++ VersiStart II plus from 6 up to 105A 4 Sizes in 10 Power ratings +++

The "Plus" offers even more flexibility for your individual field of application, extreme robustness, high performance und maximum duty cycle. Globally applicable, UL certified, Mains voltage from 200 - 480VAC with control voltage 24VDC.

NOTHING STARTS SMOOTHER

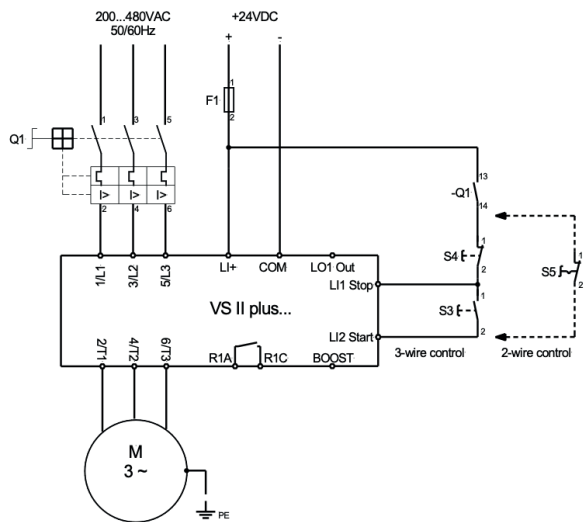


VersiStart II plus 6 - 105A



Application areas:

- door and gate drives
- pumps
- ventilators
- fans
- conveying systems
- packaging machines
- transport systems
- assembly lines
- machine applications
- others



ECONOMIC STARTER – The smart Star-Delta replacement

VersiStart II plus from 6 - 32A

Features:

- two-phase controlled soft starter
- controlled by microcontroller
- optimized soft start
- current and torque reduction during acceleration
- easy mounting, for snap-mounting on
or directly mountable
- integrated bypass relay
- parameterization by means of three potentiometers
- no mains neutral conductor (N) required
- economically priced substitute for star-delta starters
- control side screw terminals
- compact design
- 45 x 124 x 131mm (6-12A) and 45 x 154 x 131mm (22-32A)
- degree of protection IP20

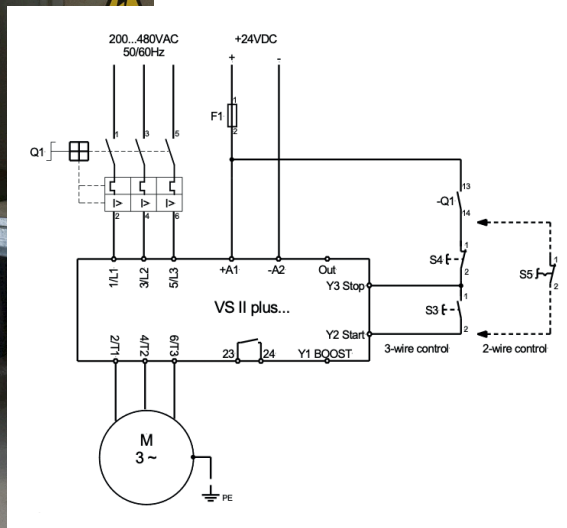


Technical specifications	VS II plus 480-6 B, 24VDC	VS II plus 480-9 B, 24VDC	VS II plus 480-12 B, 24VDC	VS II plus 480-22 B, 24VDC	VS II plus 480-32 B, 24VDC
device rated current	6A	9A	12A	22A	32A
motor rated power at 400V mains voltage	3kW	4,5kW	5,5kW	11kW	15kW
mains/ motor voltage	3x 200...480VAC -15% / +10% 50/60Hz				
control voltage	24VDC ±10% (max. 28VDC) / 216W				
order number	26 300.48006	26 300.48009	26 300.48012	26 300.48022	26 300.48032
max. power loss					
- on standby	<3W	<3W	<3W	<3W	<3W
- in ramp-up	62W	92W	122W	223W	323W
- in bypass	15W	15W	15W	2,5W	2,5W
minimum motor current	20% of the device rated current				
start-up time	1...10s				
starting voltage	30 ...80%				
run-out time	1...10s				
max. switching frequency at 3xI _e , 5s _{t an} and ED=70%	20				10



Application areas:

- Electric pumps
- Heat pumps
- Vacuum pumps
- Fans and ventilators
- Traveling cranes
- Extraction systems
- Compressors
- Agitators
- Centrifuges
- Saws
- Conveyor systems
- Woodworking machinery
- Grinding machines
- Textile machines
- Packaging machines
- Printing machines
- others



Maximum Duty Cycle.

VersiStart II plus from 38 - 105A

Features:

- two-phase controlled soft starter
- controlled by microcontroller
- optimized soft start
- current and torque reduction during acceleration
- easy mounting, for snap-mounting on
- 35 mm standard rail (38-65A-Devices)
- 35 mm and 75mm standard rails (80-105A- Devices) or directly mountable
- integrated bypass relay
- parameterization by means of three potentiometers
- no mains neutral conductor (N) required
- economically priced substitute for star-delta starters
- Push-In Controlterminals
- heat sink temperature monitoring
- compact design, 55mm at up to 65A and 81mm at up to 105A
- degree of protection IP20



Technical specifications	VS II plus 480-38 B, 24VDC	VS II plus 480-45 B, 24VDC	VS II plus 480-65 B, 24VDC	VS II plus 480-80 B, 24VDC	VS II plus 480-105 B, 24VDC
device rated current	38A	45A	65A	80A	105A
motor rated power at 400V mains voltage	1,5kW	22kW	30kW	45kW	55kW
mains/ motor voltage	3x 200...480VAC -5% / +10% 50/60Hz				
control voltage	24VDC ± 10% (max. 28VDC) / 216W				
order number	26300.48038	26300.48045	26300.48065	26300.48080	26300.48105
max. power loss:					
- on standby	<3W	<3W	<3W	<3W	<3W
- in ramp-up	220W	264W	397W	512W	703W
- in bypass	7W	9W	16W	16W	27W
minimum motor current	20% of the device rated current				
start-up time	0,5 ... 20s				
starting voltage	30 ... 90%				
run-out time	0 ... 20s				



VersiStart II plus

PETER electronic GmbH & Co. KG

Bruckäcker 9
D-92348 Berg

www.peter-electronic.com

vector
Energy

VECTOR ENERGY

C/Montcada 7, P.I. Les Pereres
08130 Santa Perpètua de Mogoda
Barcelona (ESPAÑA)
Tel. (+34) 935 748 206
info@vectorenergy.com
www.vectorenergy.com